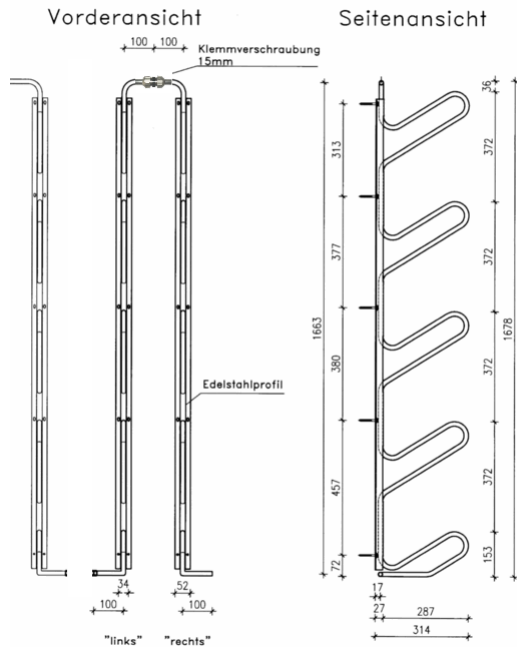


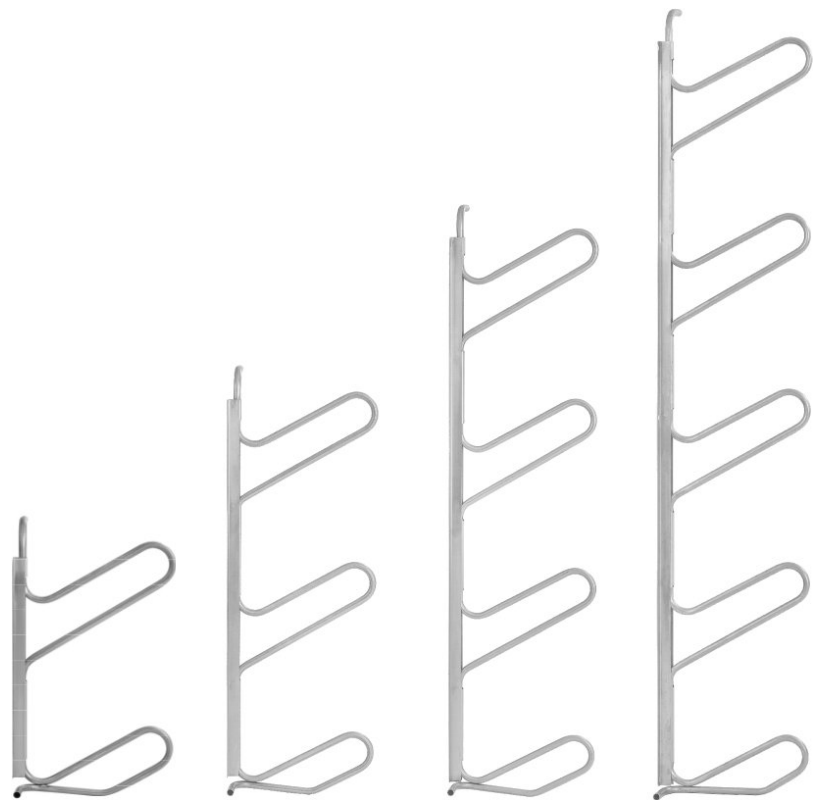
WASSERROHRSCHLANGE WRS

Specifically for plumbers!



unscrew - connect - done

These special tube coils have a reinforced back. The tubes are made of high-grade steel, and are prefabricated for wall mounting including installation kit. The connecting element for combining more tube coils may be ordered separately.



Technical details

- connect to warm water pipe
- flow / backflow 15 mm



easy installation



compression fitting /
crimp connection 15 mm
available upon request

	WRS 2	WRS 3	WRS 4	WRS 5
height (in mm)	570	930	1290	1678
width (in mm)	variable	variable	variable	variable
depth (in mm)	314	314	314	314
weight (in kg)	2	2,5	2,5	3
calculated heat value (watts)	75	105	140	170
calculation flow/backflow (in °C)	55/50	55/50	55/50	55/50